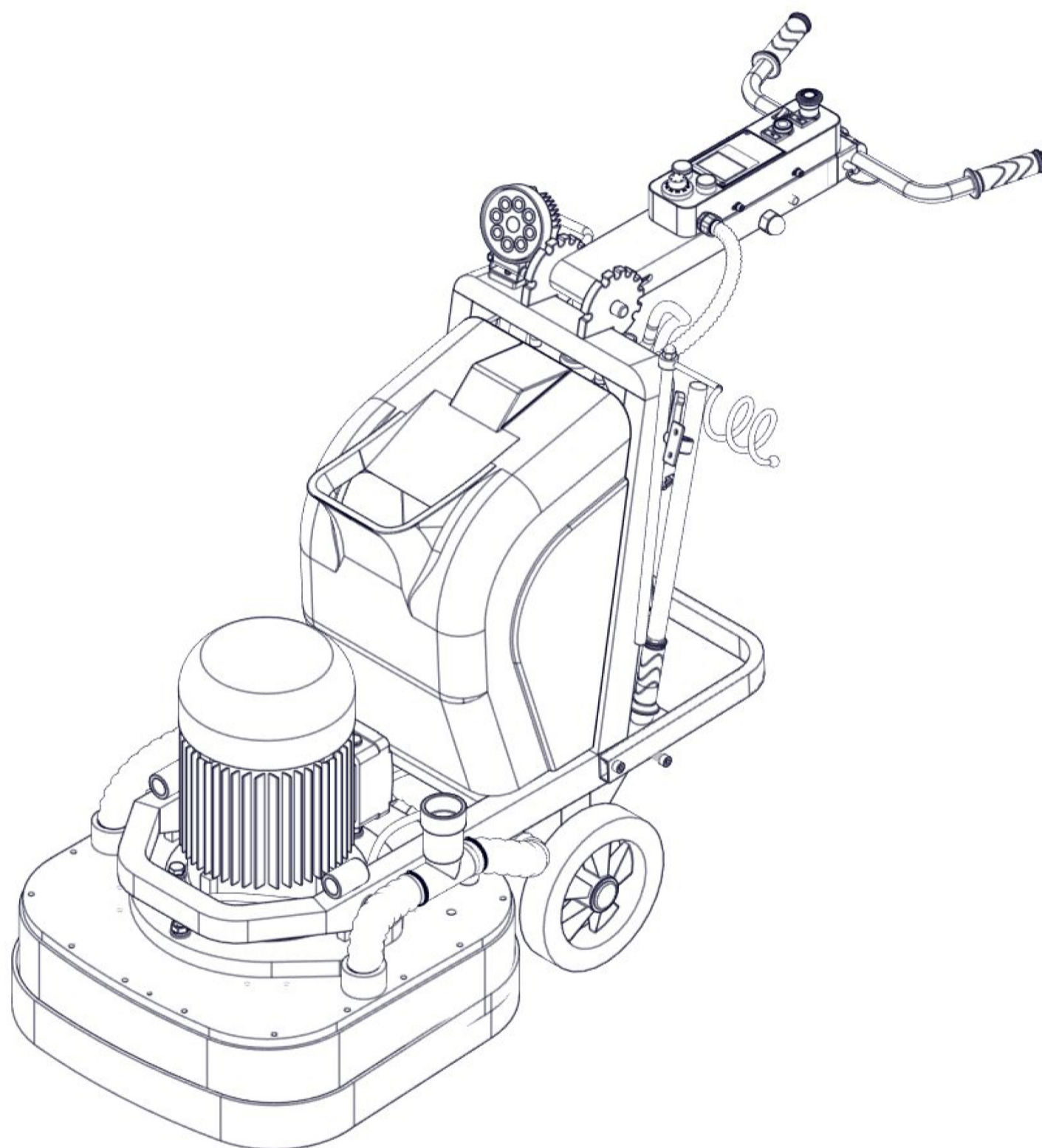


SC-Q2310R

Spare Parts

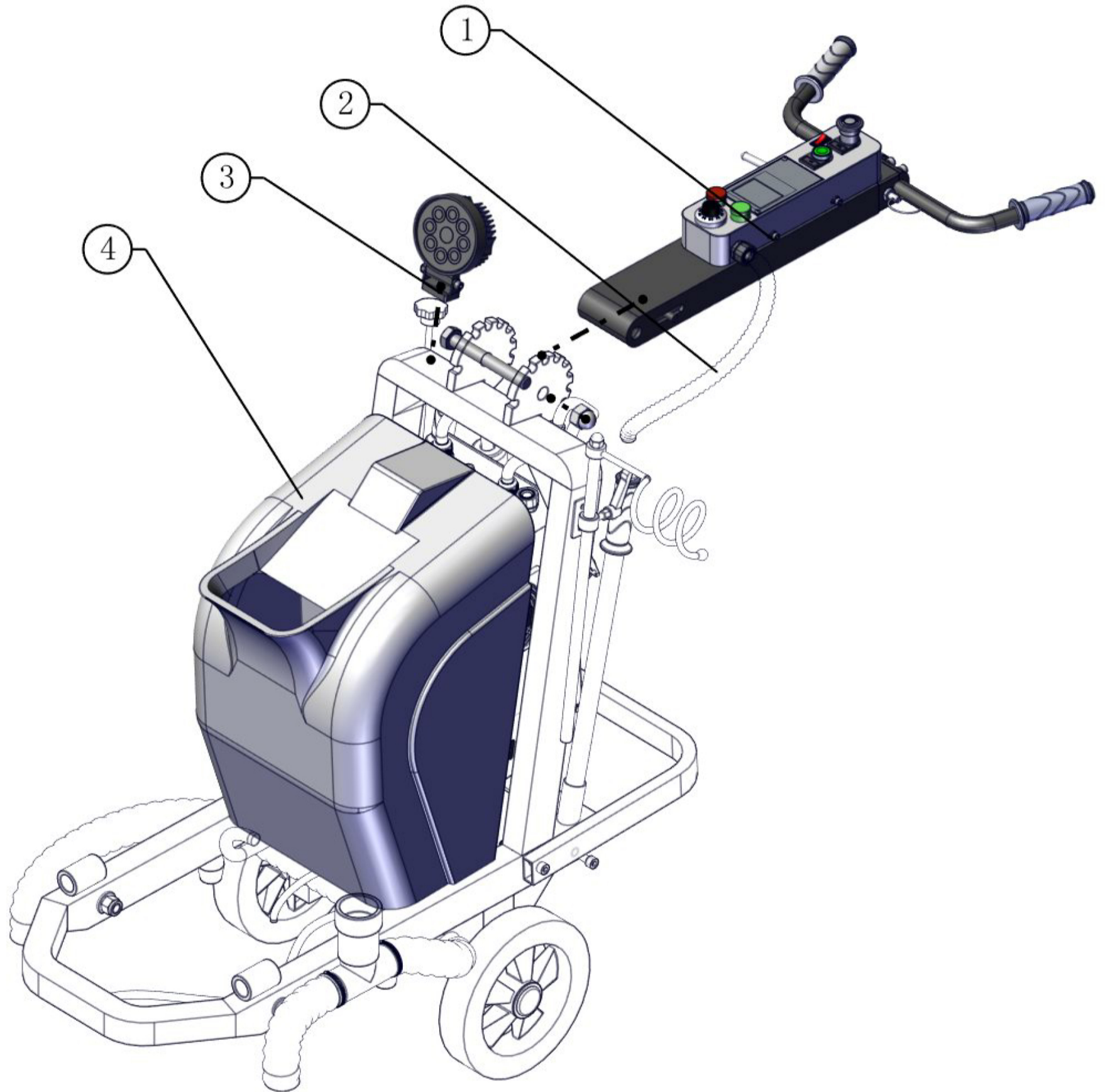


AramSCO Natural Stone Solutions
7120 NW 74th Avenue
Miami, FL 33166
Phone: 305-887-4133 EXT. 101
Fax: 305-574-0408
Cell: 786-277-7380

FUJIAN XINGYI POLISHING MACHINE CO.,LTD
NO.C2 ,Area 11,AnPing Development Area,
Quanzhou ,Fujian province ,China
Fax: 0086-595-36792977
Tel: 0086-595-36792992
<http://www.xy1118.com>

SC-Q2310R

Spare Parts



SC-Q2310R

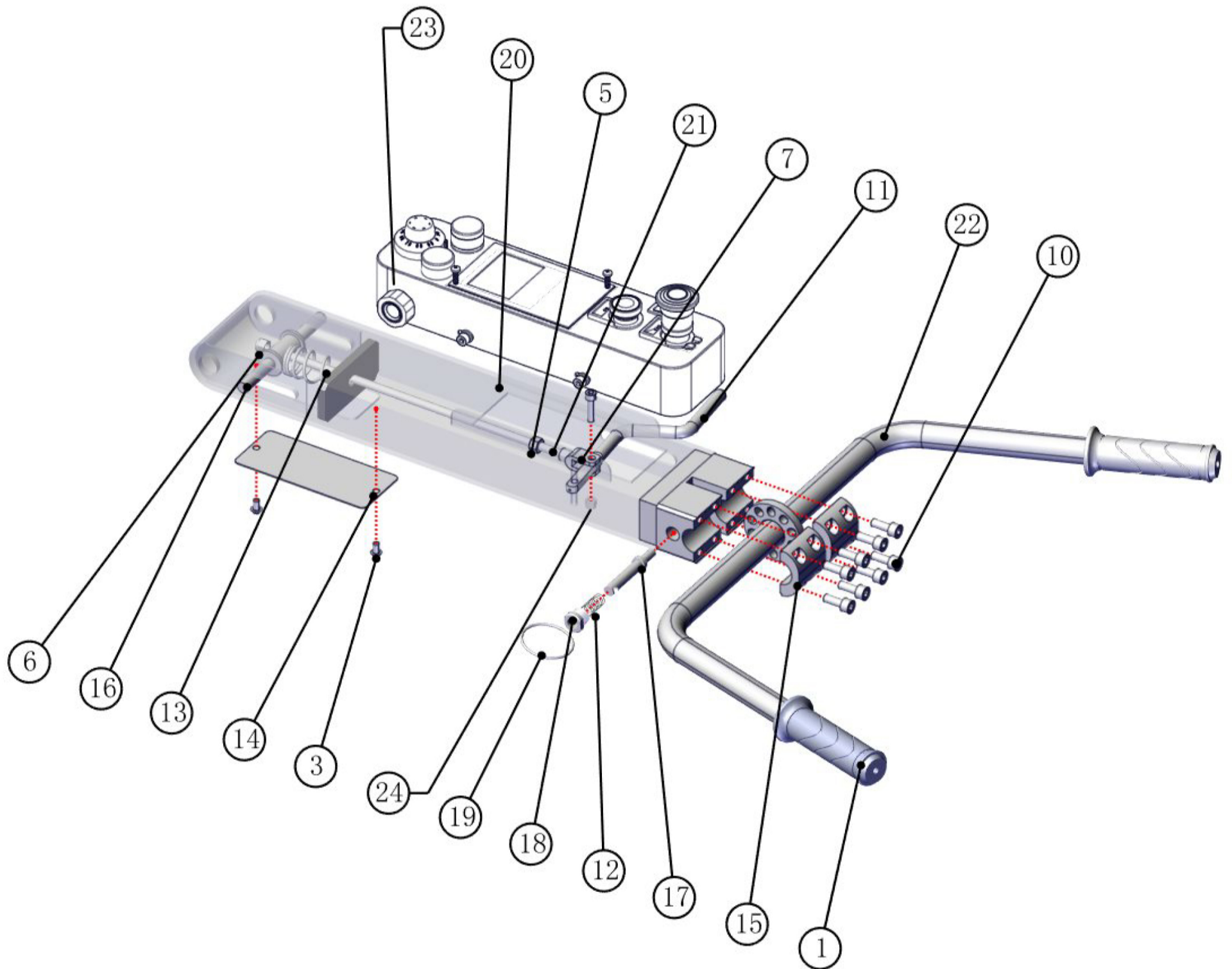
Spare Parts



BOM ID	Description	Part Number	Quantity
1	Swing lever assembly	A08-A01B05C00D00F00	1
2	Plastic bellows	0000000000000141	1
3	LED lights	0000000000000142	1
4	Water tank	A06-A02B05C00D00F00	1

SC-Q2310R

Spare Parts



AramSCO Natural Stone Solutions
7120 NW 74th Avenue
Miami, FL 33166
Phone: 305-887-4133 EXT. 101
Fax: 305-574-0408
Cell: 786-277-7380

FUJIAN XINGYI POLISHING MACHINE CO.,LTD
NO.C2 ,Area 11,AnPing Development Area,
Quanzhou ,Fujian province ,China
Fax: 0086-595-36792977
Tel: 0086-595-36792992
<http://www.xy1118.com>

SC-Q2310R

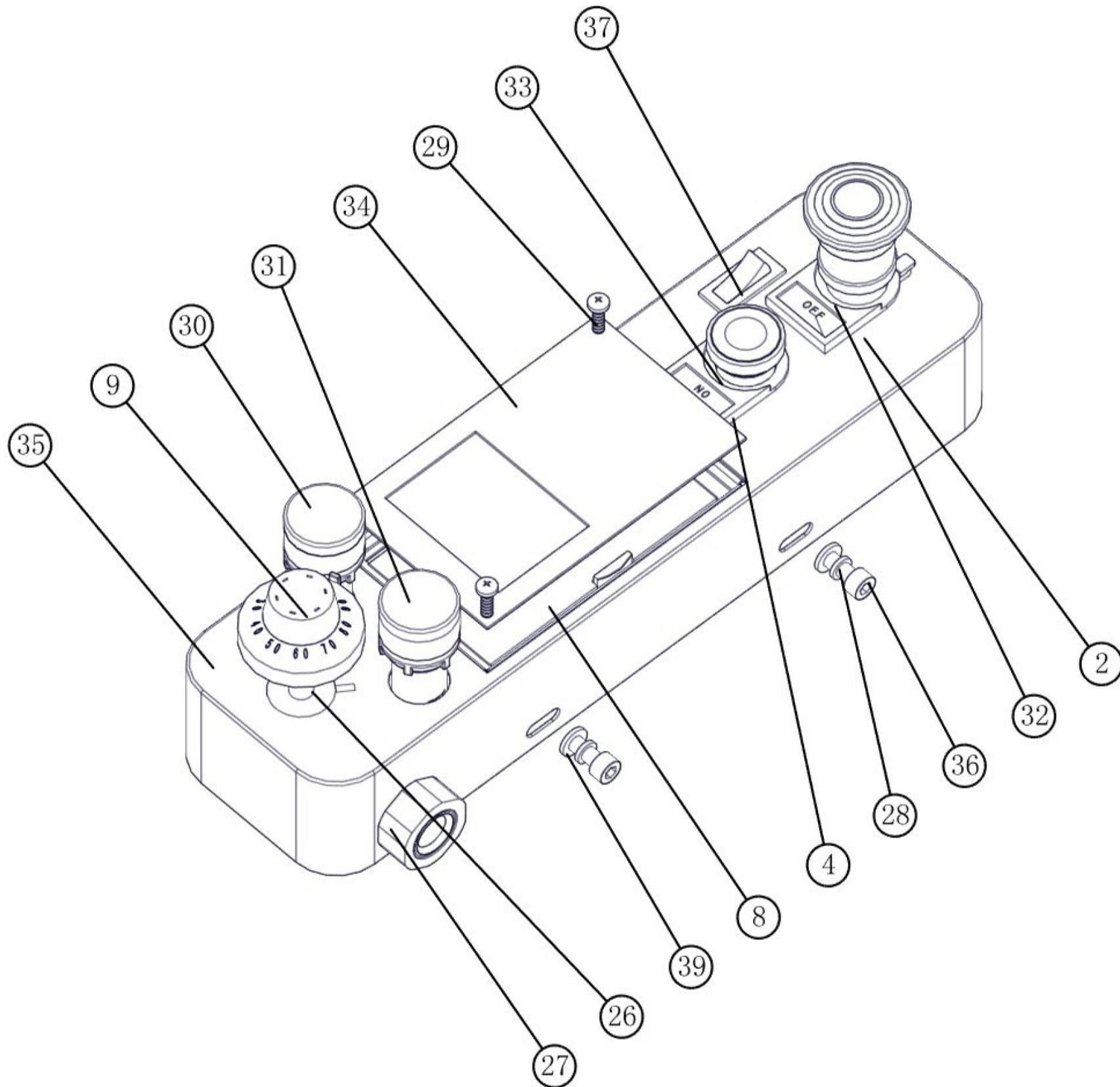
Spare Parts



BOM ID	Description	Part Number	Quantity
1	Handle rubber sleeve	000000000000052	2
3	GB / T70. 2-2000 Hexagon flat round head screws-M6×10	000000000000095	2
5	GB / T41-2000 1 type Hex nuts Cgrade-M8	000000000000121	1
6	GB / T889. 1-2000 1type Non-metallic insert hexagon lock nuts-M8	000000000000122	1
7	Y type connector	000000000000155	1
10	GB / T70. 1-2000 Hexagon socket head cap screw-M8×20	000000000000613	8
11	Handle	A01-A02B03C01D02F00	1
12	bolt spring	A01-A02B03C06D04F00	1
13	Swing lever spring	A01-A02B03C08D00F00	1
14	Swing lever cover	A06-A02B04C03D00F00	1
15	Clamp cover	A06-A02B04C05D00F00	2
16	Swing lever lock lever	A06-A02B04C06D00F00	1
17	Bolt shaft	A06-A02B04C07D01F00	1
18	Bolt nut	A06-A02B04C07D02F00	1
19	Bolt pull ring	A06-A02B04C07D03F00	1
20	Controlling panel fixed plate	A08-A01B05C02D01F00	1
21	Swing lever	A08-A01B05C03D00F00	1
22	Swing lever handle	A08-A01B05C04D00F00	1
23	Control box	A08-A01B05C01D01F00	1
24	GB / T889. 1-2000 1 type hexagon lock nuts-M6	000000000000120	1

SC-Q2310R

Spare Parts



AramSCO Natural Stone Solutions
7120 NW 74th Avenue
Miami, FL 33166
Phone: 305-887-4133 EXT. 101
Fax: 305-574-0408
Cell: 786-277-7380

FUJIAN XINGYI POLISHING MACHINE CO.,LTD
NO.C2 ,Area 11 ,AnPing Development Area,
Quanzhou ,Fujian province ,China
Fax: 0086-595-36792977
Tel: 0086-595-36792992
<http://www.xy1118.com>

SC-Q2310R

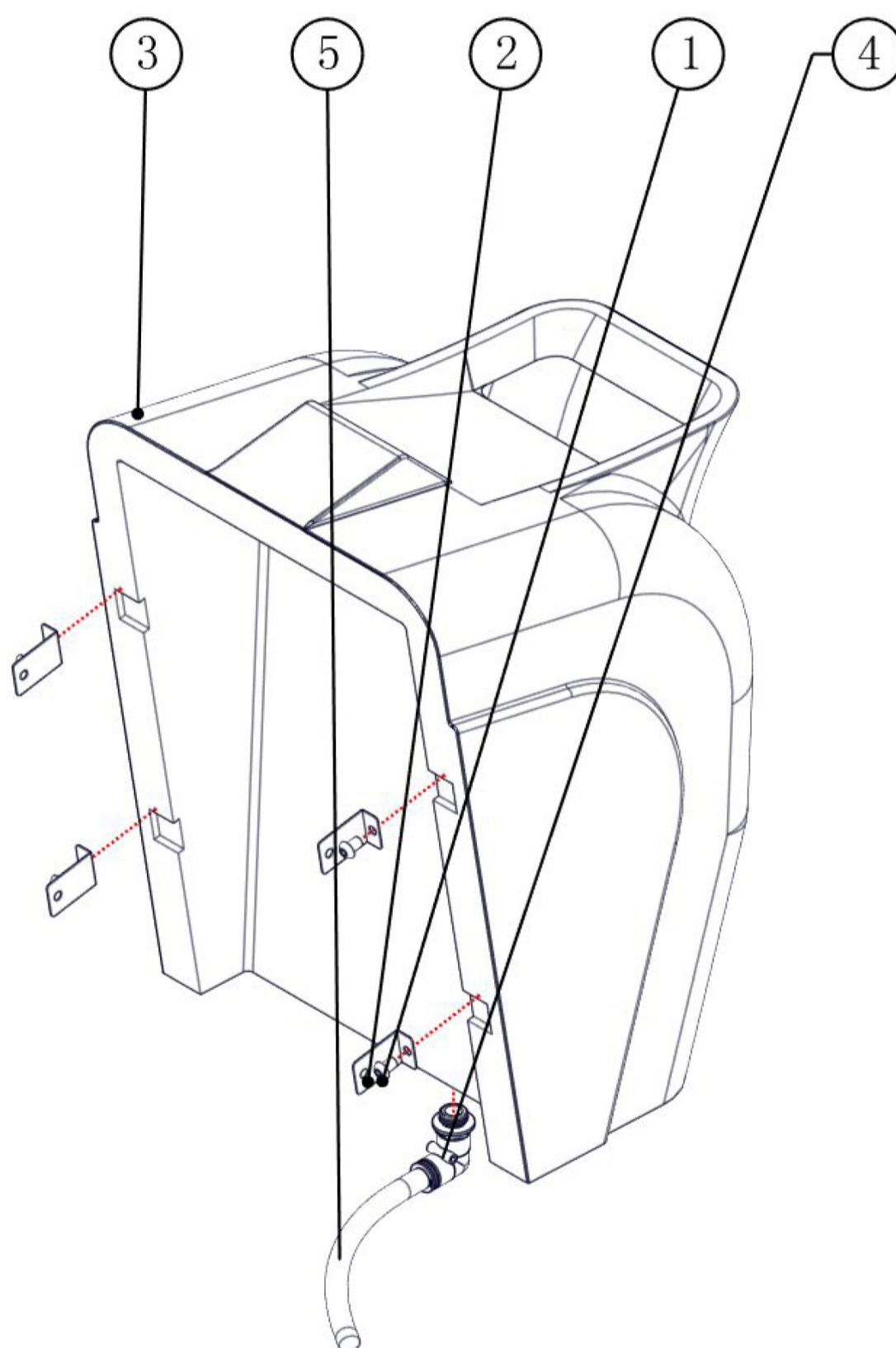
Spare Parts



BOM ID	Description	Part Number	Quantity
2	Rotary triggered emergency stop	000000000000181	1
4	Flat knob-NB2-BA31	000000000000180	1
8	Digital Operator-KB16A-VEICHI	000000000000186	1
9	Potentiometer cap	000000000000017	1
26	Potentiometer	000000000000016	1
27	Iron connector	000000000000023	1
28	GB / T93-1987 Standard type elastic washer (Assembly)-6×1.6	000000000000097	4
29	GB845-1985 Cross recessed pan head tapping screws-C type ST4.2×19	000000000000179	2
30	Red light	000000000000182	1
31	Green light	000000000000183	1
32	indicator OFF	000000000000212	1
33	indicator ON	000000000000213	1
34	Controlling panel cover	A01-A02B03C09D00F00	1
35	Swing bar box welding	A08-A01B05C01D00F00	1
36	GB / T70. 1-2000 Hexagon socket head cap screw M6×16	000000000000612	4
37	led switch	000000000000439	1
39	GB / T97. 1-2002 Flat washer A grade 6×1.6	000000000000250	4

SC-Q2310R

Spare Parts



SC-Q2310R

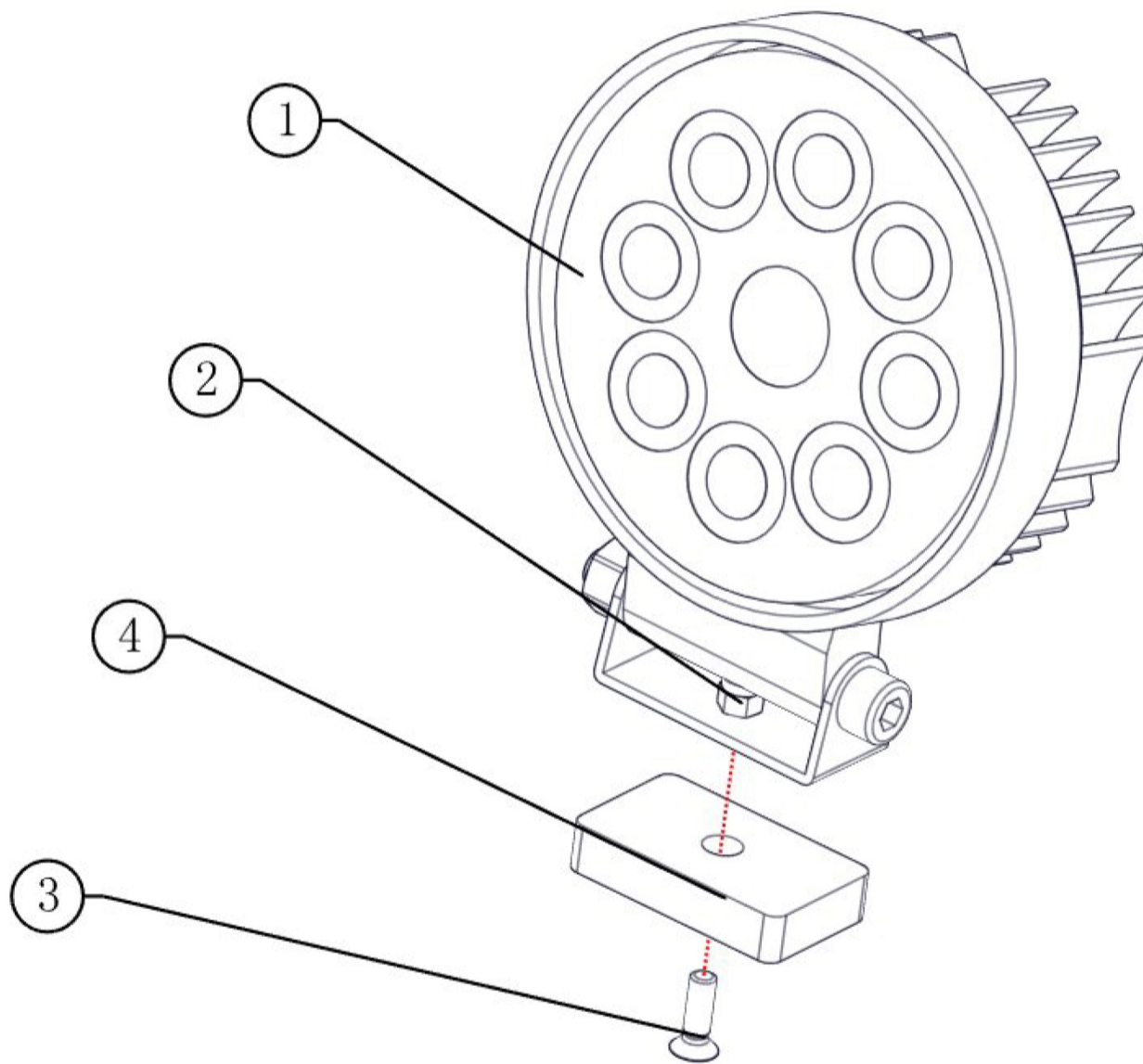
Spare Parts



BOM ID	Description	Part Number	Quantity
1	GB / T70. 2-2000 Hexagon flat round head screws-M8×12	000000000000209	4
2	Water tank fixing sheet metal	A06-A02B05C02D00F00	4
3	Water tank	A08-A01B02C01D00F00	1
4	Metric take over G threaded fitting-16_EPL16-G04	000000000000211	1
5	trachea-16x12	000000000000210	1

SC-Q2310R

Spare Parts



SC-Q2310R

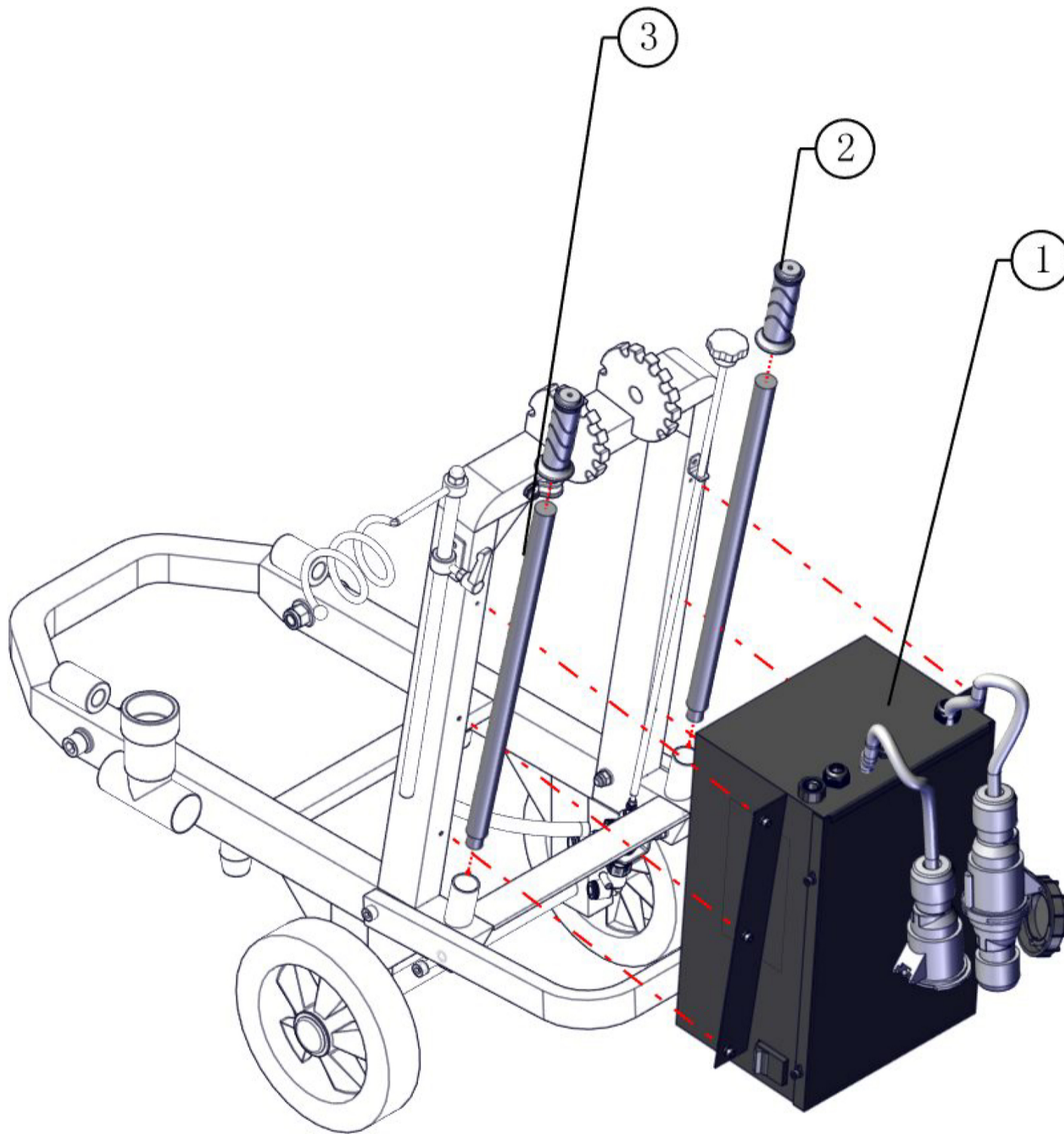
Spare Parts



BOM ID	Description	Part Number	Quantity
1	LED lights	000000000000142	1
2	GB / T889. 1-2000 1 type Non-metallic insert hexagon lock nuts-M5	000000000000090	1
3	GB / T819. 1-2000 Cross recessed countersunk head screws-M5×16	000000000000105	1
4	magnet-50x30x10	000000000000200	1

SC-Q2310R

Spare Parts



SC-Q2310R

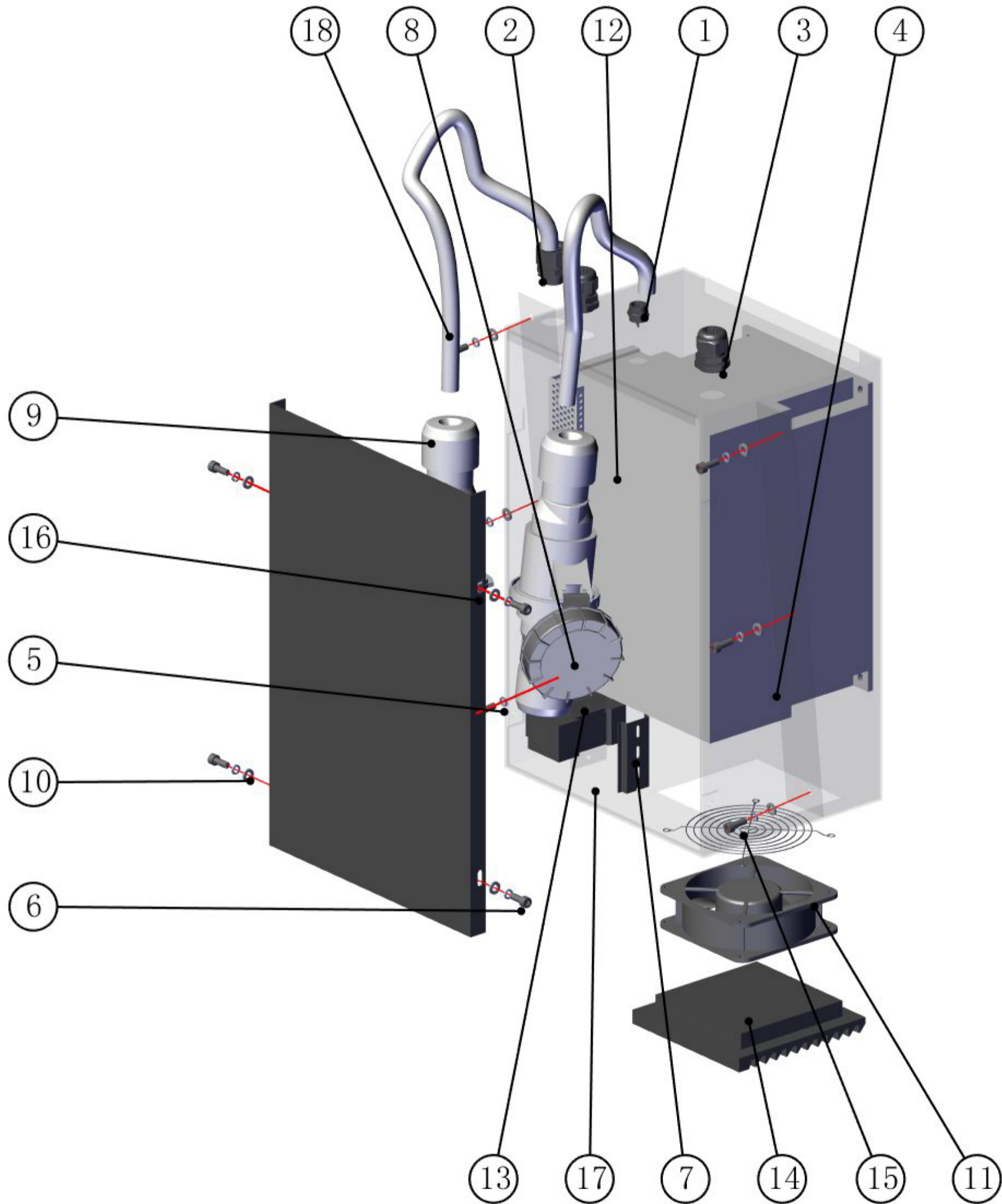
Spare Parts



BOM ID	Description	Part Number	Quantity
1	Inverter box assembly	A27-A01B02C00D00F00	1
2	Handle rubber sleeve	0000000000000052	2
3	carrying pole	A01-A02B05C02D00F00	2

SC-Q2310R

Spare Parts



SC-Q2310R

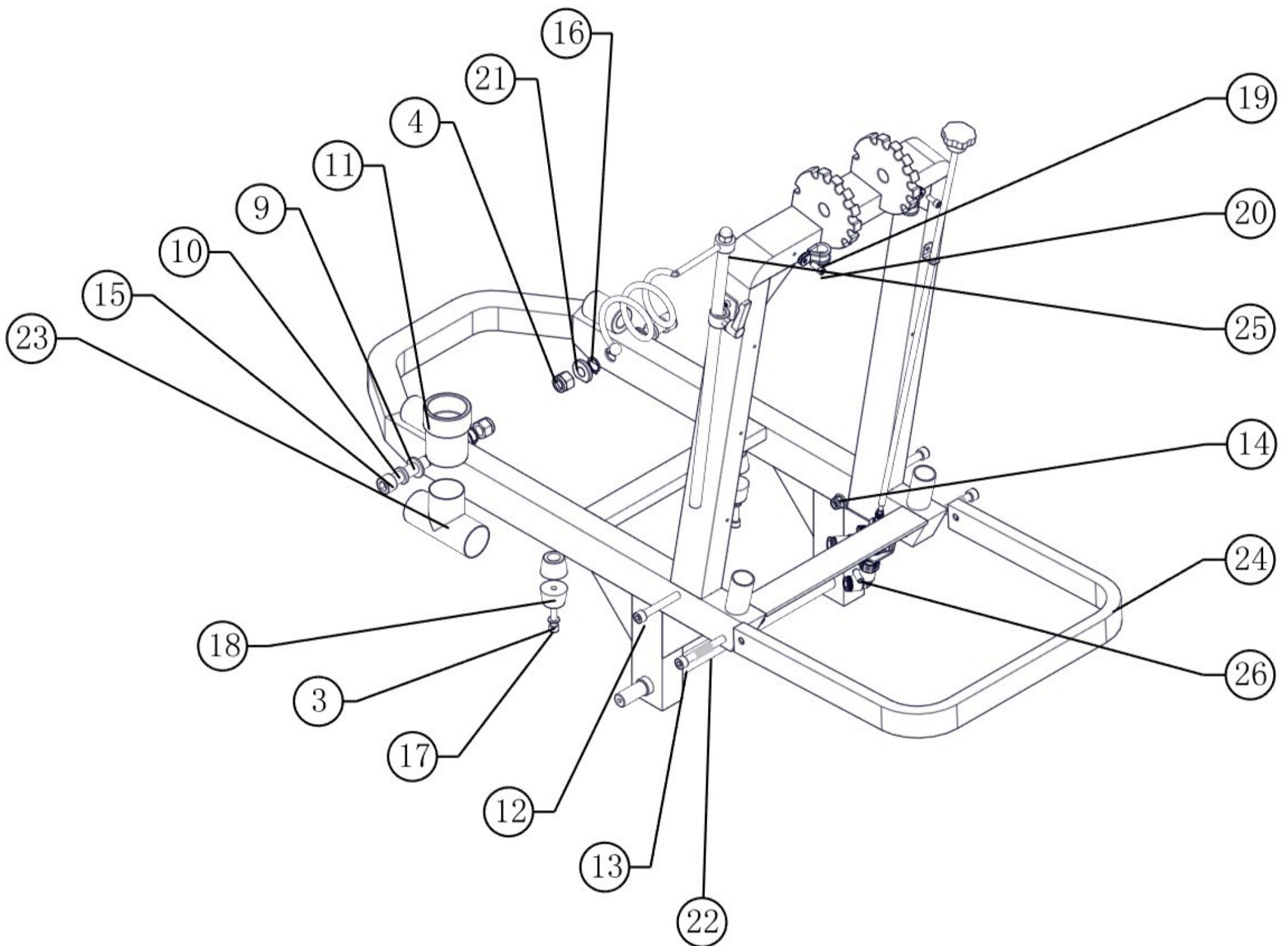
Spare Parts



BOM ID	Description	Part Number	Quantity
1	Aviation connector	000000000000022	1
2	Iron connector	000000000000023	1
3	PG19	000000000000031	2
4	Inverter-vfd-ms300-f1-pd-3d00-15KW-220V	000000000000063	1
5	GB / T93-1987 Standard type elastic washer (Assembly)-6×1.6	000000000000097	10
6	GB / T70. 1-2000 Hexagon socket head cap screw-M6×16	000000000000098	10
7	000000000000136-DIN35	000000000000136	1
8	4-pin female plug-HTN2241	000000000000224	1
9	4-pin male plug-HTN0241	000000000000225	2
10	GB / T97. 1-2002 Flat washer A grade-6×1.6	000000000000250	10
11	Fan-AC220V	000000000000399	1
12	Mingwei switching power supply-S-100-12	000000000000496	1
13	air switch-DZ47-60	000000000000502	1
14	Ventilation filter group-ZL-150.9803A	000000000000503	1
15	Fan shield-105x105	000000000000604	1
16	Inverter box cover	A08-A01B04C01D00F00	1
17	Inverter box	A27-A01B02C01D00F00	1
18	wire		1

SC-Q2310R

Spare Parts



AramSCO Natural Stone Solutions
7120 NW 74th Avenue
Miami, FL 33166
Phone: 305-887-4133 EXT. 101
Fax: 305-574-0408
Cell: 786-277-7380

FUJIAN XINGYI POLISHING MACHINE CO.,LTD
NO.C2 ,Area 11,AnPing Development Area,
Quanzhou ,Fujian province ,China
Fax: 0086-595-36792977
Tel: 0086-595-36792992
<http://www.xy1118.com>

SC-Q2310R

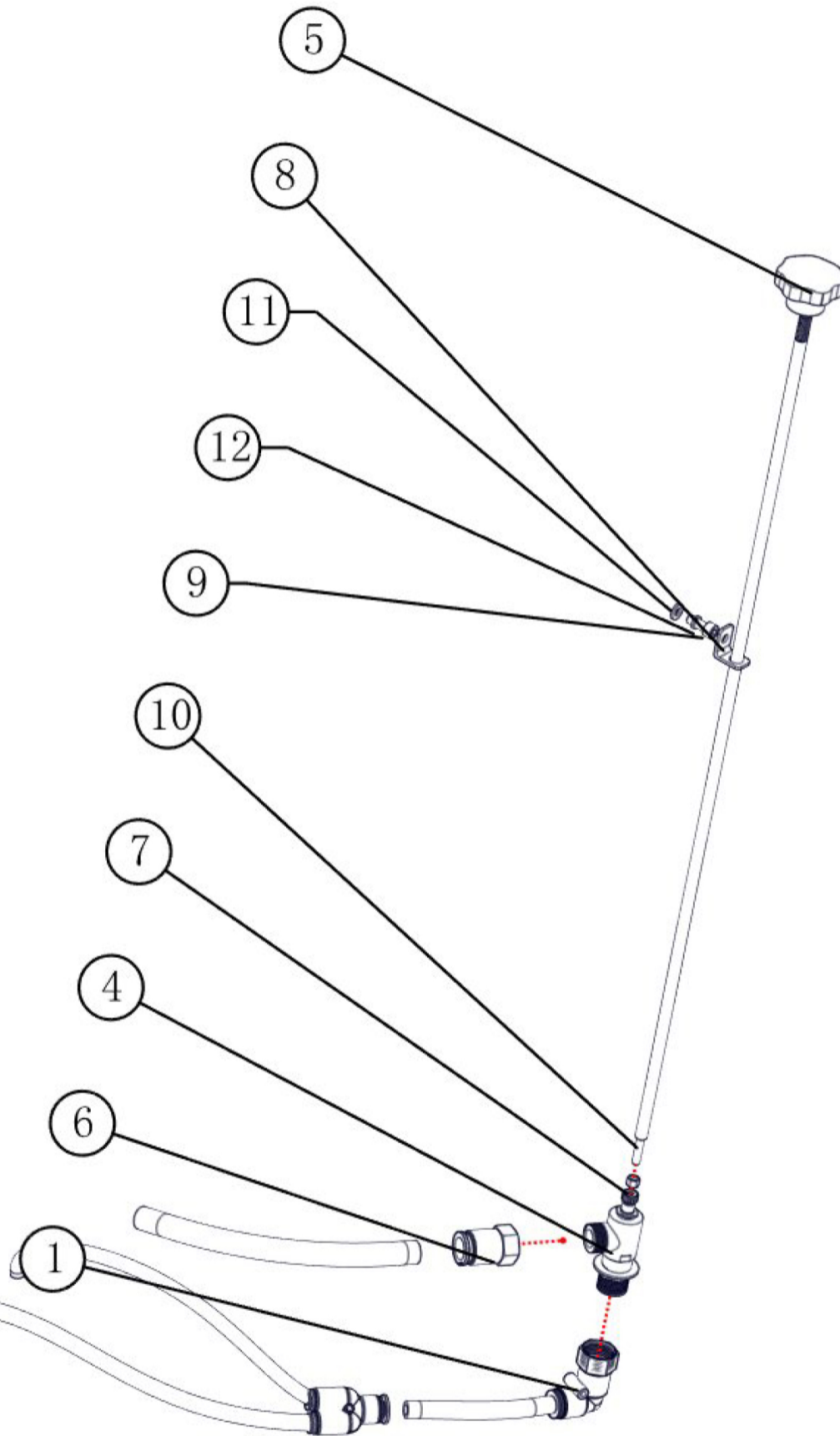
Spare Parts



BOM ID	Description	Part Number	Quantity
3	GB / T97. 1-2002 Flat washer A grade-8×1.6	000000000000093	2
4	GB / T889. 1-2000 1 type Non-metallic insert hexagon lock nuts-M16	000000000000103	2
9	GB / T97. 1-2002 Flat washer A grade-16×3	000000000000106	2
10	GB / T93-1987 Standard type elastic washer (Assembly)-16×4.1	000000000000139	2
11	50 Suction pipe joint	000000000000145	1
12	GB / T70. 1-2000 Hexagon socket head cap screw-M10×80	000000000000192	2
13	GB / T70. 1-2000 Hexagon socket head cap screw-M10×90	000000000000193	2
14	GB / T6183. 2-2000 Non-metallic insert hexagon lock nuts-M10	000000000000194	4
15	GB / T70. 1-2000 Hexagon socket head cap screw-M16×70	000000000000195	2
16	GB894. 2-86 86-axis elastic ring type B 20	000000000000196	2
17	GB / T70. 1-2000 Hexagon socket head cap screw-M8×40	000000000000207	2
18	Rubber foot taper	000000000000215	4
19	With rubber strip R type fixed clamps	000000000000216	2
20	GB / T70. 1-2000 Hexagon socket head cap screw-M6×16	000000000000612	2
21	Hand wheel nuts-M16	A06-A02B01C02D00F00	2
22	Foot pedal inserts	A06-A02B01C04D00F00	2
23	50 Three way suction port	000000000000416	1
24	Pedals	A08-A01B01C02D00F00	1
25	Wire rack	A08-A01B03C00D00F00	1
26	Water switch	A08-A01B06C00D00F00	1

SC-Q2310R

Spare Parts



SC-Q2310R

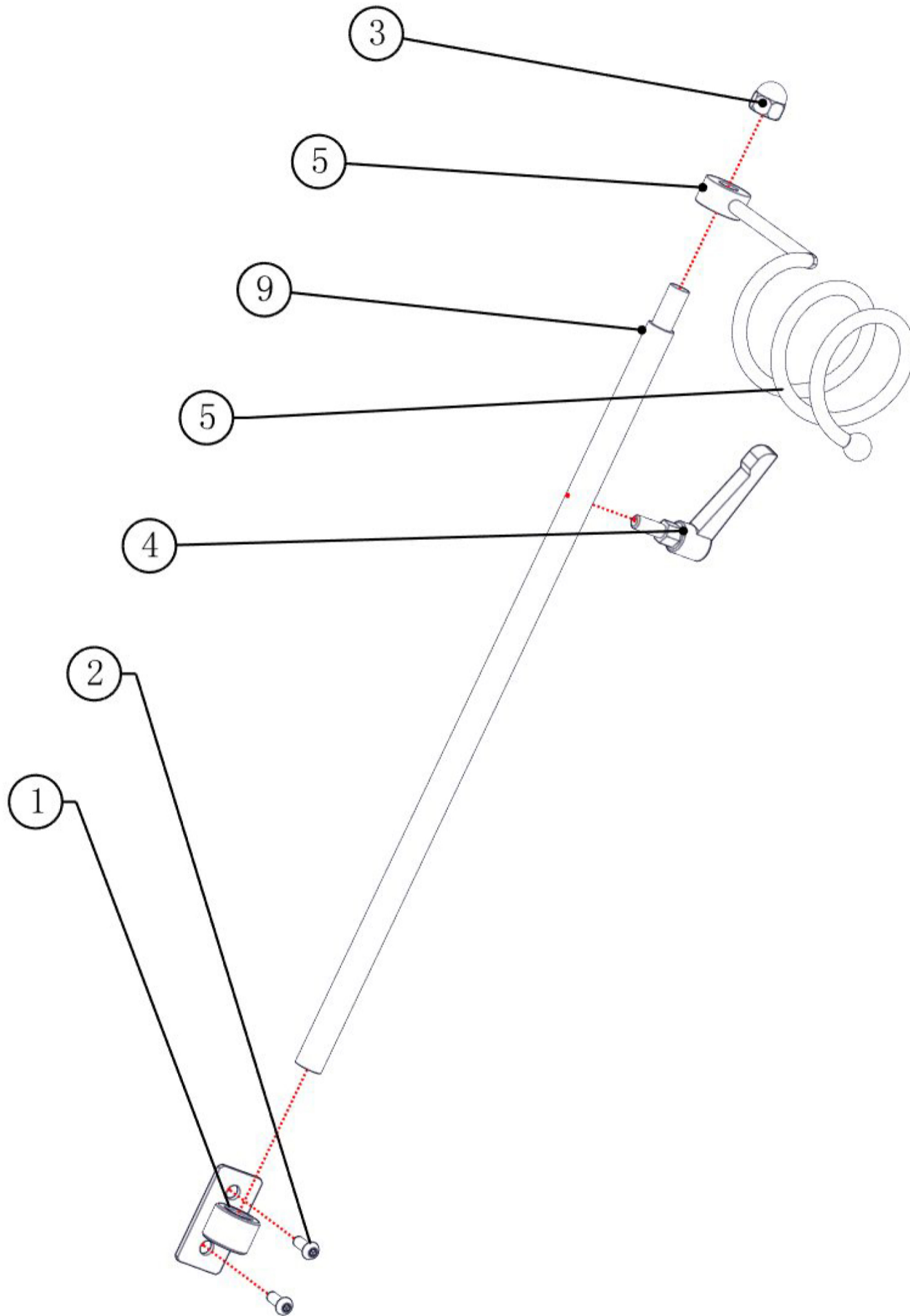
Spare Parts



BOM ID	Description	Part Number	Quantity
1	Metric take over G threaded fitting-10_EPLF12-G04	000000000000034	1
4	Water switch - no cap	000000000000127	1
5	Through hole star handle M8	000000000000219	1
6	Metric take over G threaded fitting-14_EPCF16-G04	000000000000220	1
7	GB / T41-2000 1 type Hex nuts C-M5	000000000000221	1
8	Water switch fixing piece	A06-A02B03C01D00F00	1
9	GB / T70. 1-2000 Hexagon socket head cap screw M6×16	000000000000098	1
10	Water switch lever	A06-A02B03C02D00F00	1
11	GB / T97. 1-2002 Flat washer A grade 6×1.6	000000000000250	1
12	GB / T93-1987 Standard type elastic washer (Assembly) 6×1.6	000000000000097	1

SC-Q2310R

Spare Parts



SC-Q2310R

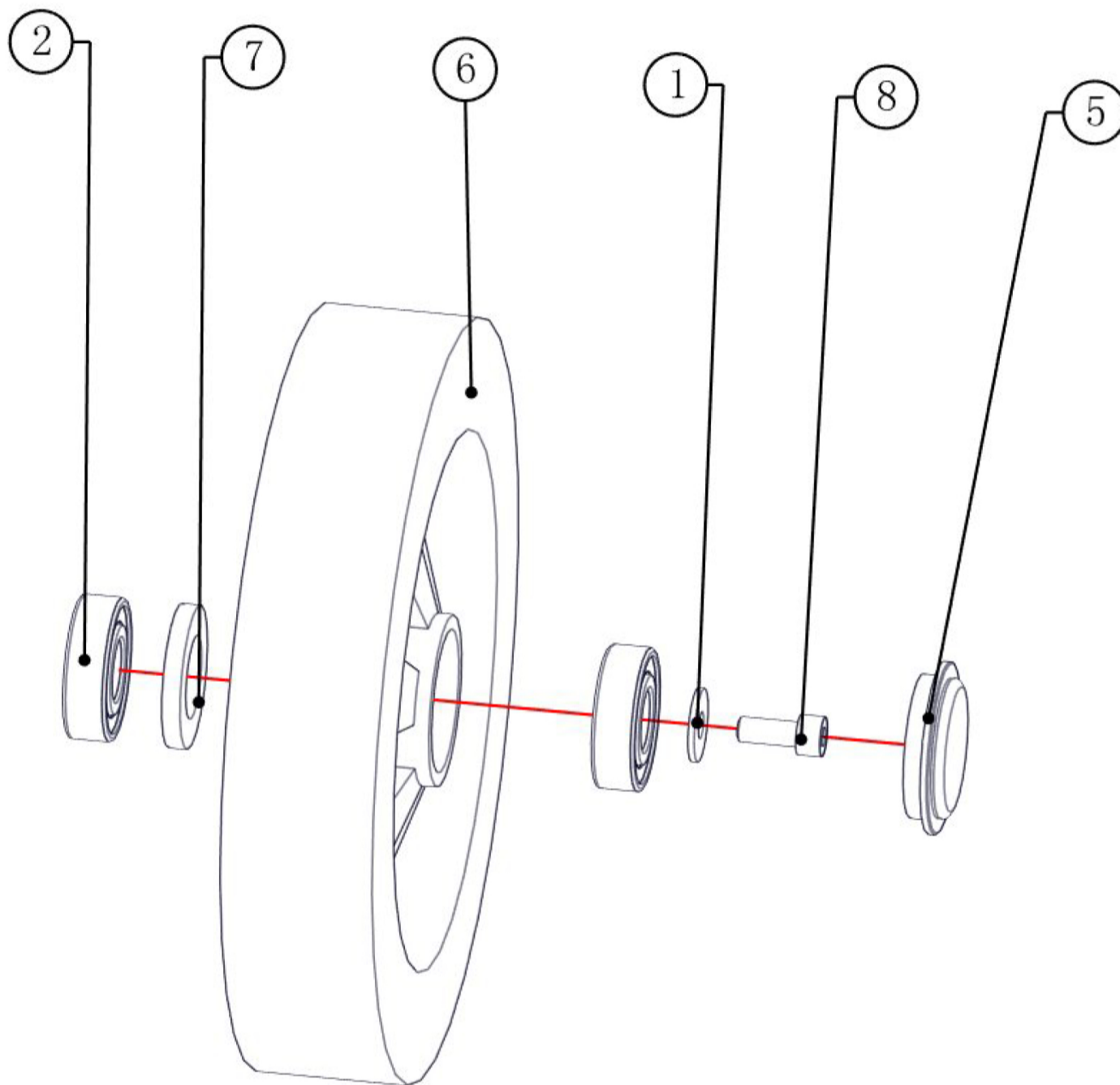
Spare Parts



BOM ID	Description	Part Number	Quantity
1	Wire rack holder	A08-A01B03C02D00F00	1
2	GB / T70. 2-2000 Hexagon flat round head screws-M6×16	000000000000134	2
3	GB923-88 Cap nut M12	000000000000240	1
4	Adjustable position tight handle-M8X20	000000000000241	1
5	Reel	A08-A01B03C01D00F00	1
9	Wire rack shaft	A08-A01B03C03D00F00	1

SC-Q2310R

Spare Parts



SC-Q2310R

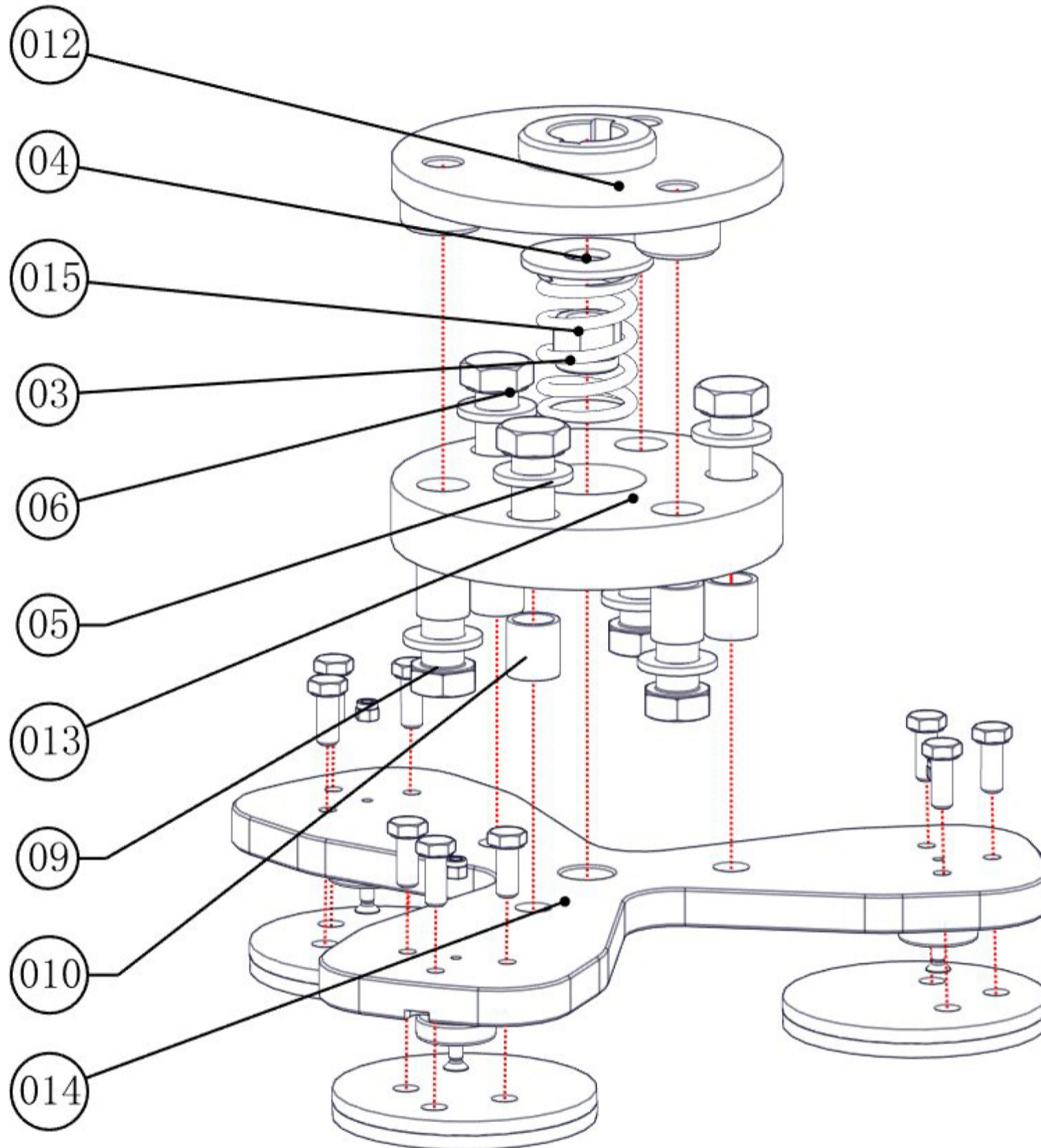
Spare Parts



BOM ID	Description	Part Number	Quantity
1	GB / T96. 2-2002 Large washer C grade-8×2	000000000000208	1
2	GB / T276-94 Deep groove ball bearings-6204-2R	000000000000217	2
5	Wheel cover	000000000000237	1
6	250wheel	000000000000238	1
7	Plastic spacer	000000000000239	1
8	GB / T70. 1-2000 Hexagon socket head cap screw-M8×20	000000000000613	1

SC-Q2310R

Spare Parts



SC-Q2310R

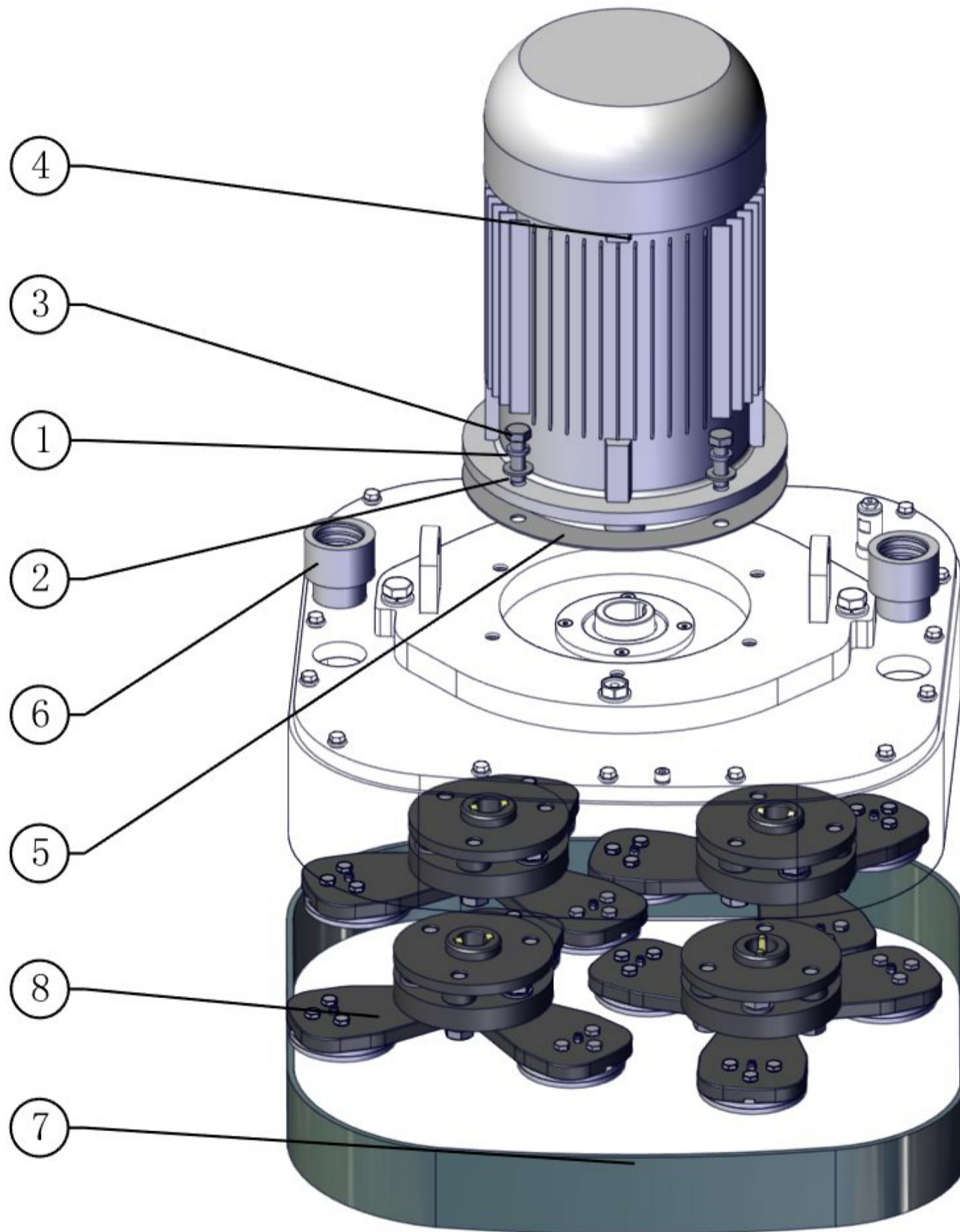
Spare Parts



BOM ID	Description	Part Number	Quantity
03	GB / T889. 1-2000 1 type Non-metallic insert hexagon lock nuts-M16	000000000000103	1
04	GB / T96. 2-2002 Large washer C grade-16×3	000000000000104	1
05	GB / T97. 1-2002 Flat Washers A grade-16×3	000000000000106	6
06	GB / T5783-2000 Hex head bolt full thread-M16×40	000000000000107	3
09	GB / T5781-2000 Hex head bolt full thread C grade-M16×50	000000000000609	3
010	Metal ring	A01-A01B02C05D00F00	6
012	Upper flange	A08-A02B02C01D00F00	1
013	Cushion Rubber	A08-A02B02C02D00F00	1
014	Grinding plate	A08-A02B02C03D00F00	1
015	spring	A08-A02B02C04D00F00	1

SC-Q2310R

Spare Parts



SC-Q2310R

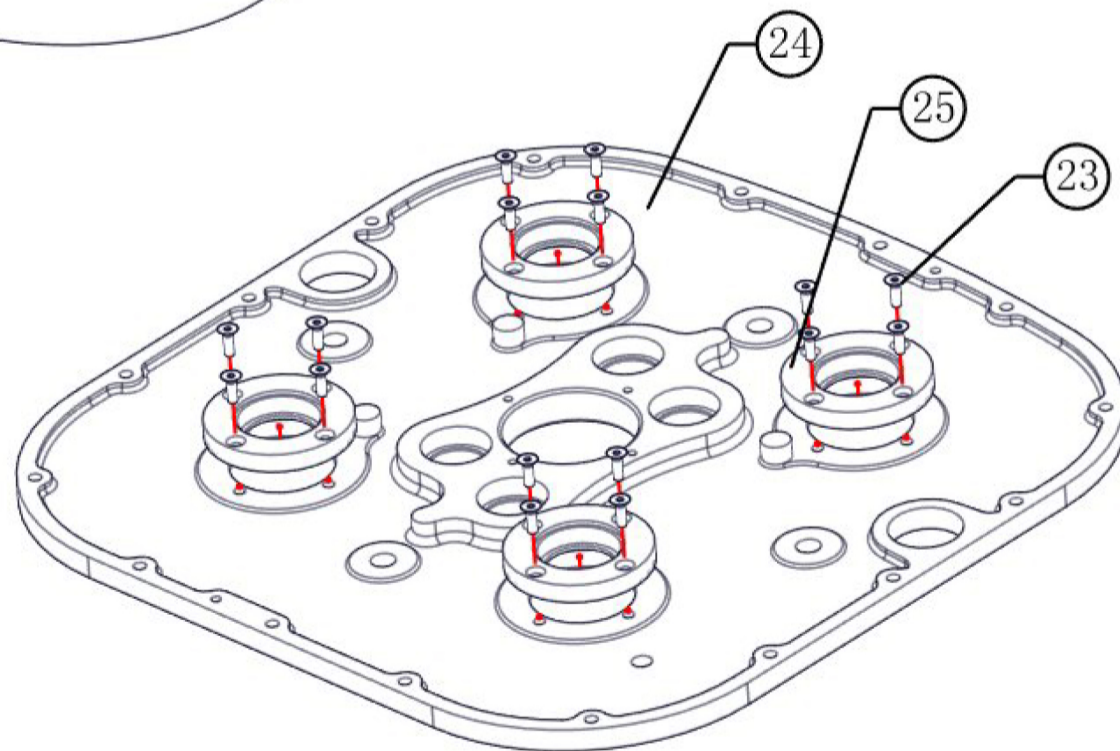
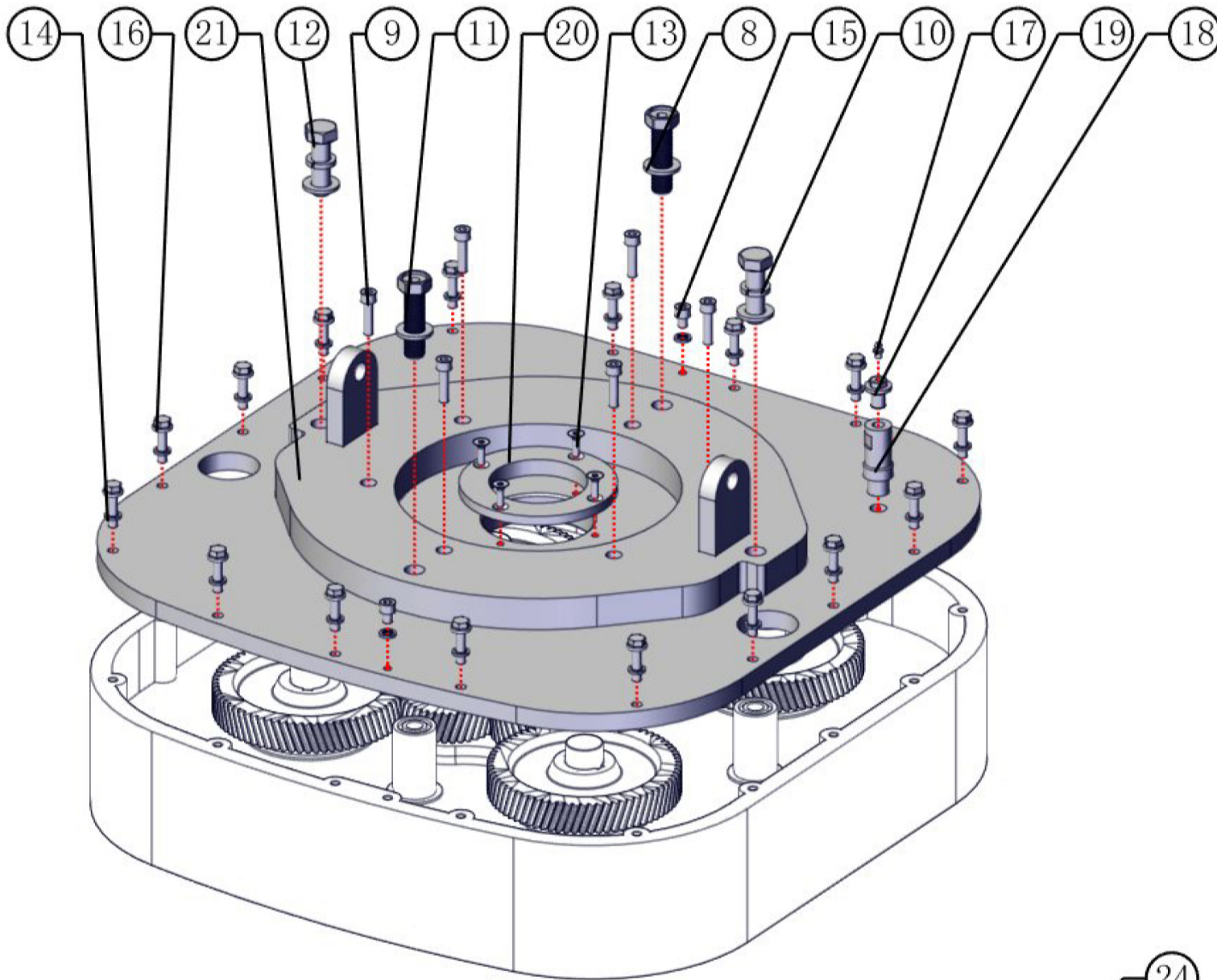
Spare Parts



BOM ID	Description	Part Number	Quantity
1	GB / T93-1987 Standard type elastic washer (Assembly)-14×3.6	000000000000099	4
2	GB / T97. 1-2002 Flat washer A grade-14×2.5	000000000000100	4
3	GB / T5781-2000 Hex head bolt full thread C grade-(M14)×45	000000000000232	4
4	WEG motor-7.5kw	000000000000368	1
5	Motor cushions	A08-A02B00C01D00F00	1
6	50 turn 60 dust suction pipe	A08-A02B00C02D00F00	2
7	Dustproof belt	A08-A02B00C04D00F00	1
8	Grinding plate assembly	A08-A02B02C00D00F00	4

SC-Q2310R

Spare Parts



SC-Q2310R

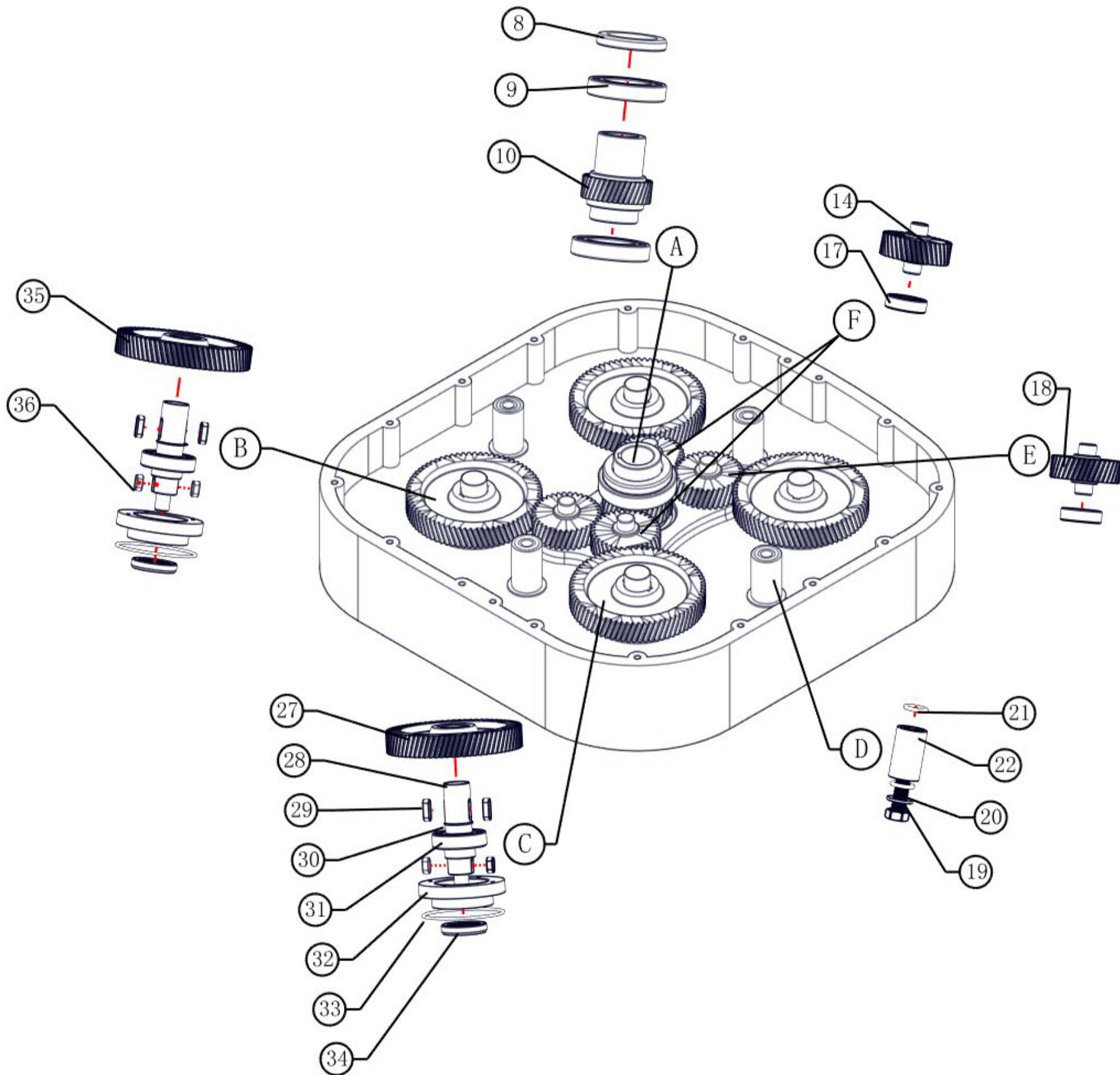
Spare Parts



BOM ID	Description	Part Number	Quantity
8	GB / T97. 1-2002 Flat washer A grade-16×3	000000000000106	4
9	GB / T70. 1-2000 Hexagon socket head cap screw-M8×30	000000000000124	6
10	GB / T93-1987 Standard type elastic washer (Assembly)-16×4.1	000000000000139	2
11	Head bolted bolt-M16X60	000000000000234	2
12	GB / T5781-2000 Hexagon bolt full thread C-M16×50	000000000000244	2
13	GB / T70. 3-2000 Hexagon countersunk head screws-M6×20	000000000000332	4
14	Combination sealing washer- JB_T982-1977_8	000000000000464	18
15	GB / T70. 1-2000 Hexagon socket head cap screw-M8×10	000000000000465	2
16	GB / T5789-1986 Hexagon head flange bolt (enlarge series) B grade-M8×30	000000000000466	16
17	oil Nozzle-M6X1	000000000000527	1
18	oil	A21-A02B01C14D00F00	1
19	Hexagon screw plug-M12×1.25×24	A21-A02B01C15D00F00	1
20	Q8 Upper cover	A08-A02B01C08D00F00	1
21	Motor connection seat	A08-A02B00C03D00F00	1
23	GB / T70. 3-2000 Hexagon countersunk head screws-M6×20	000000000000332	15
24	Upper box	A08-A02B01C01D00F00	1
25	Q8 Upper flange	A08-A02B01C07D00F00	4

SC-Q2310R

Spare Parts



SC-Q2310R

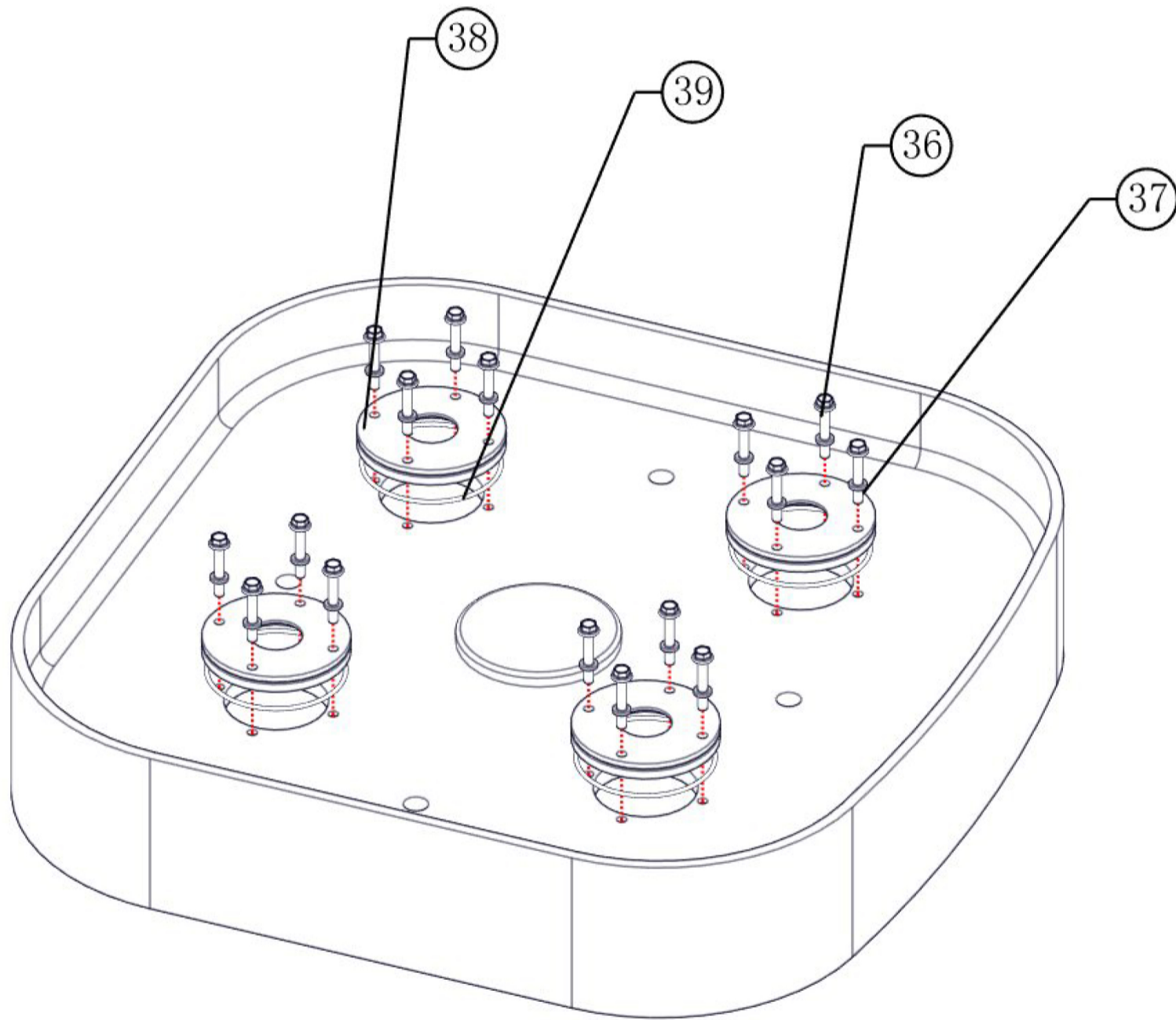
Spare Parts



BOM ID	Description	Part Number	Quantity
8	GB / T13871. 1-2007 Lip seals B grade-55X80X12	000000000000533	1
9	Deep groove ball bearings-6011-2RS1	000000000000524	2
10	Q8 Input shaft straight gear-right spin-18.6721	A08-A02B01C10D00F00	1
14	Transition gear 36 gear straight tooth M2X36 left-hand -18.6721	A08-A02B01C04D00F00	2
17	GB / T276-94 Deep groove ball bearings-6204-2RS1	000000000000607	6
18	Transition gear (36 gear straight M2X36 right-spin 18.6721)	A08-A02B01C03D00F00	3
19	GB / T97. 1-2002 Flat washer A grade-16X3	000000000000106	7
20	Head bolted bolt-M16X60	000000000000234	4
21	O-ring seal-GB3452.1-92 20X4	000000000000456	14
22	Q8 Support tube	A08-A02B01C13D00F00	7
27	Output gear 72 gear straight tooth M2X72 right spin-18.6721	A08-A02B01C02D00F00	3
28	Q8 Output shaft	A08-A02B01C09D00F00	5
29	GB / T1096-1979 Ordinary flat key type A-8X25	000000000000523	12
30	GB894. 2-86 Shaft elastic ring B type-30	000000000000517	6
31	GB / T276-94 Deep groove ball bearings-6206-2RS1	000000000000458	6
32	Q8 ower flange	A08-A02B01C11D00F00	6
33	O-ring seal-M2.65X90	000000000000518	6
34	GB / T13871. 1-2007 Lip seals B type-35x52x10	000000000000520	6
35	Q8-72 gear straight tooth M2X72 left-hand-18.6721	A08-A02B01C06D00F00	3
36	GB / T1096-1979 Ordinary flat key type A-8X18	000000000000187	8
A	Central axis assembly		1
B	Output gear assembly - left-hand		2
C	Output gear assembly - right-hand		2
D	Support column assembly		4
E	Transition gear assembly - right-hand		2
F	Transition gear assembly - left-hand		2

SC-Q2310R

Spare Parts



SC-Q2310R

Spare Parts



BOM ID	Description	Part Number	Quantity
36	GB / T5789-1986 Hexagon head flange bolt (enlarge series) B grade-M6×40	000J000000000606	16
37	Combination sealing washer- JB_T982-1977_6	000J000000000469	16
38	Q8 Oil cover	A08-A02B01C12D00F00	4
39	O-ring seal-M2.65X90	000J000000000518	4